

ME4-T 4m LINEAR TRANSVERTER

TECHNICAL DATA:

TX SECTION:

Input frequency.....	28-29MHz
Output frequency.....	70-71MHz
Drive power.....	5mW-500mW
Output power.....	25W min.
Spurious suppression.....	> 60dB

RX SECTION:

Input frequency.....	70-71MHz
IF frequency.....	28-29MHz
Noise figure.....	1.0dB
Conversion Gain.....	22dB typ
General Power requirements.....	13.8V DC
Current drawn on receive/transmit.....	0.2A/5A max.
Intercept point.....	+7dBm

ME4-T Connection and operating instructions

Front Panel controls:

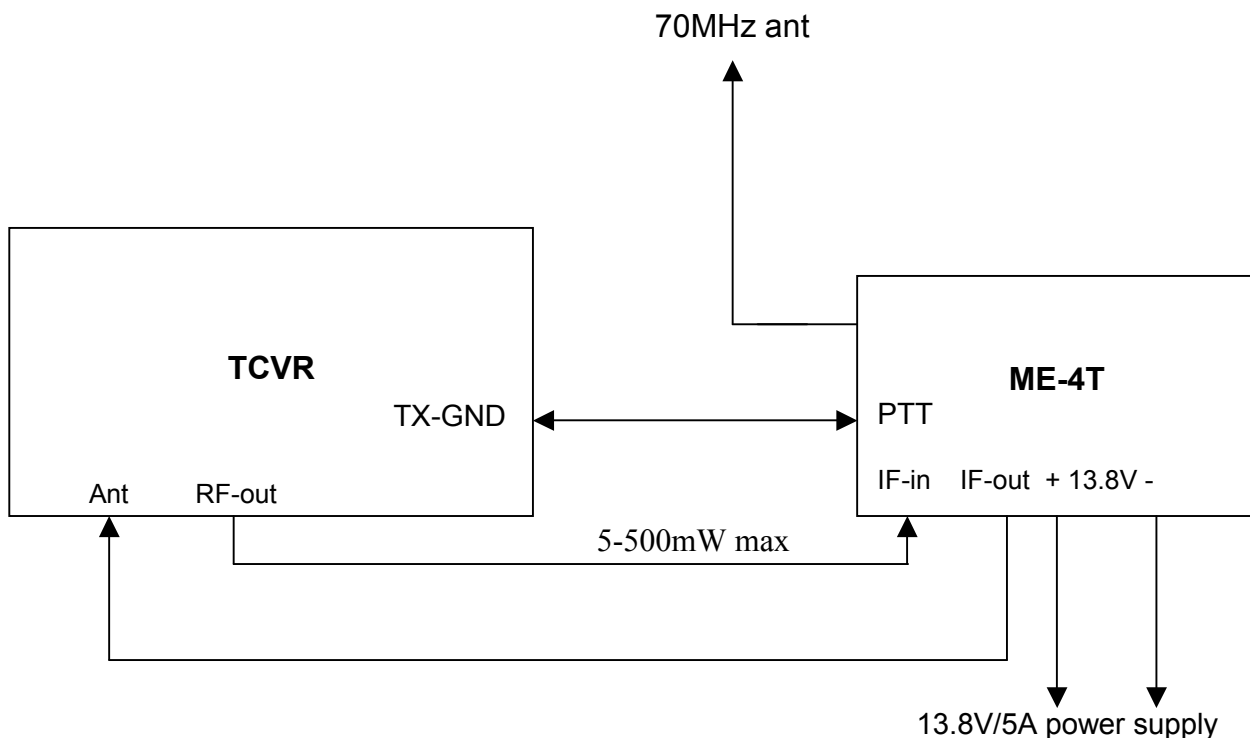
Switch „ON”	Provides power to the transverter, The „ON” LED indicator should light
ON LED	Indicates ON status of the equipment.
RX LED	Indicates the receiving status of transverter.
TX LED	Lights when the transverter is on transmit position (PTT input is on GND)
LED Bargraph	Indicates the relative RF output power of transverter.

Rear Panel connections:

- ANT (UHF)** An UHF type connector is provided for 70MHz RF input & output.
- PTT (RCA)** This connector provides a connection to the TCVR PTT line. A ground on this line places the transverter into transmit mode.(+13.8V/50mA)
- IF in (BNC)** Apply 28MHz drive to this connector. Do not exceed 500mW of RF power. If you have high power output TCVR (0.5-10W) use the **MET-5/20** RF attenuator.
- IF out (BNC)** IF (receive) output is available at this connector. Do not apply RF power to this connector! Connect directly to TCVR Ant. input.
- RLY out (RCA)** +13.8V/50mA max output on this connector on TX case. Connecting to **MET-5/20** external attenuator unit. (max. output current is 50mA!)

Cable connections:

Cable connecting on case low power out TCVR's



Switch OFF the PA of your TCVR!!

